

Environmentally friendly

Ergonomic

Efficient

Elegant

Elaborative

Expansibility

Easy Maintenance



# LittleDuck

E7 SERIES REFRIGERATION SHOWCASE

## Self-contained Multi-Deck Display Case

**New York**  
**Open Mode/With Glass Door**

Depth 780mm/725mm

Length 1250mm, 1875mm, 2500mm

Running Temperature: -1 to 7°C

Model Type: plug-in, with compressor

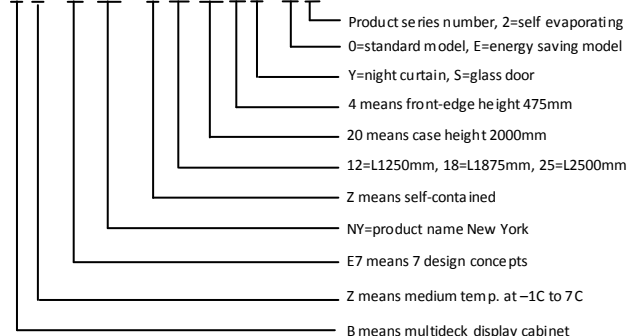


LittleDuck



Model Number

B Z - E7 NY - Z 12 20 4 Y - 0 2



ISO9001 ISO14001 CE

**Standard Options:**

- Length Option: 1250mm, 1875mm & 2500mm
- Depth: top780mm/bottom703mm
- Height: 2000mm
- Self: angle-adjustable, depth 350mm, 4 tier + 1 bottom
- Light: canopy, shelf with T8 fluorescent lamp
- Night curtain: available
- End panel: PU-glass end panel
- Type: self-contained, self evaporating design
- Defrost: natural defrost, without electrical heater
- Controller: CAREL Brand
- Compressor: ASPERA Brand
- Refrigerant: R404a
- Color: RAL Standard for steel parts

**Optional Items:**

- LED light of shelf, canopy for energy saving
- High-efficiency fan for energy saving
- Heavy duty castors

**Application:**

It is used for displaying and selling all kind of meat, marine products, cooked food and milk products, drink, fruits and so on at running temperature -1°C to 7°C.

**Features and Benefits:**

1. Adopting supper slim design can save space.
2. The low front design is used, so the effective display area is enlarged and the effect of food display is more prominent.
3. The low condensing unit is used, so that the compressors can reach the perfect effect.
4. The design of panoramic view, using the toughened glass, it is more clear and stronger, the effect is more prominent.
5. The multi-layered shelf can be combined freely, their angle can be adjusted according to good of display.
6. The LED light and high-efficiency fan can be option for energy saving.
7. The heavy duty castors with braking is optional.

**Power Comparison for Standard T8 Lamp and LED Lamp**

Case Length	Lamp Qty. & Length	Standard T8 Lamp			LED Lamp	
		spec, watts	ballast, watts	light power, W	spec, watts	light power, W
1250mm	5x1200mm	36w	5.5w	207.5W	18w	90W
1875mm	1x900mm & 9x600mm	1x30w & 9x18w	5.0w	242W	1x15w & 9x12w	123W
2500mm	10x1200mm	36w	5.5w	415W	18w	180W

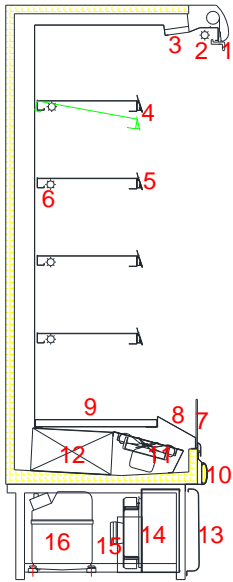
**Power Comparison for Standard Fan and High-efficiency Fan**

Case Length	Standard Fan			High-efficiency fan		
	Evaporating Fan, W	Condensing Fan, W	Fan Power	Evaporating Fan, W	Condensing Fan, W	Fan Power
1250mm	2x31w	2x36w	134W	2x7w	2x7w	28W
1875mm	3x31w	3x36w	201W	3x7w	3x7w	42W
2500mm	4x31w	3x36w	232W	4x7w	3x7w	49W

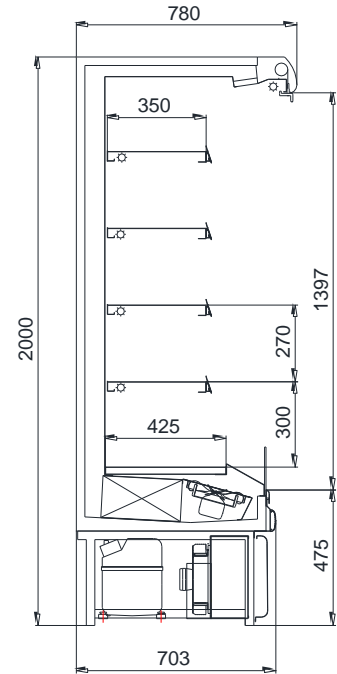
E7 New York - Air Curtain



Shandong LittleDuck Group  
 No.51, Gongye Nan Road, Jinan 250101, China  
 Http://www.littleduckgroup.com.cn  
 Tel: 0086-531-8312 2094, 8312 2068, 8312 2326



1. Night curtain
2. Canopy light
3. Air outlet
4. Angle adjustable shelf
5. Price tag
6. Shelf light
7. Front glass
8. Air inlet
9. Bottom shelf
10. Bumper
11. Evaporating fan
12. Coil/evaporator
13. Front decorating plate
14. Condenser
15. Condensing fan
16. Compressor



	Case Length	Case Type	Model Number	Size, LxWxH, mm	Capacity, L	Display Area, m <sup>2</sup>	Running Temp. °C
Capacity	12(1250mm)	Standard model	BZ-E7NY-Z12204Y-02	1250x780x2000	725	1.7	-1 to 7
	12(1250mm)	Energy saving model	BZ-E7NY-Z12204Y-E2	1250x780x2000	725	1.7	-1 to 7
	18(1875mm)	Standard model	BZ-E7NY-Z18204Y-02	1875x780x2000	1,080	2.6	-1 to 7
	18(1875mm)	Energy saving model	BZ-E7NY-Z18204Y-E2	1875x780x2000	1,080	2.6	-1 to 7
	25(2500mm)	Standard model	BZ-E7NY-Z25204Y-02	2500x780x2000	1,450	3.4	-1 to 7
	25(2500mm)	Energy saving model	BZ-E7NY-Z25204Y-E2	2500x780x2000	1,450	3.4	-1 to 7

Electricity Data	Case Length	Case Type	Power at 220V/50Hz, Watts					Input Power, W	Rated Current, A	Power Consumption, Kwh/24h
			Light	Fan	Anti-Sweat	Evaporating Heater	Compressor			
	12(1250mm)	Standard	207.5	134	36.5	1,300	1,030	2,708.0	14.19	33.0
	12(1250mm)	Energy saving	90.0	28	36.5	1,300	1,030	2,484.5	13.27	29.1
	18(1875mm)	Standard	242.0	201	36.8	1,300	2,060	3,839.8	21.91	45.0
	18(1870mm)	Energy saving	123.0	42	36.8	1,300	2,060	3,561.8	20.28	39.8
	25(2500mm)	Standard	415.0	232	49.3	1,300	2,060	4,056.3	22.37	55.0
	25(2500mm)	Energy saving	180.0	49	49.3	1,300	2,060	3,638.3	20.53	47.8

\* Energy saving model adopted LED lights, high-efficiency fans

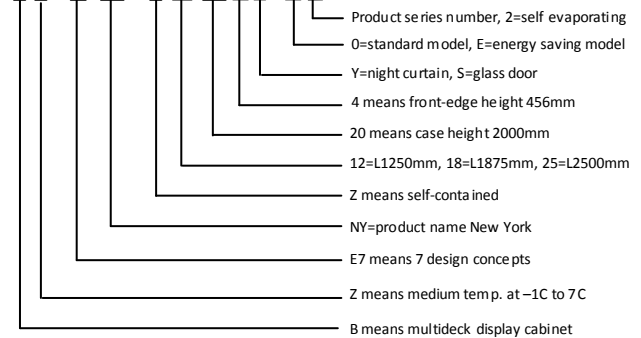
Refrigeration Data	Case Length	Application at T=25 °C, RH=60%	Refrigerant Gas	Evaporating, Temp. °C	Condensing Temp. °C	Defrost Mode	Refrigerant Filling, Kg
	12(1250mm)	-1°C ~ +7°C	R404a	-10	45	Time off	1.3
	18(1875mm)	-1°C ~ +7°C	R404a	-10	45	Time off	2.5
	25(2500mm)	-1°C ~ +7°C	R404a	-10	45	Time off	2.9





Model Number

B Z - E7 NY - Z 12 20 4 S - 0 2



ISO9001 ISO14001 CE

**Standard Options:**

- Length Option: three specs on length, 1250mm/2Door, 1875mm/3Door, 2500mm/4Door
- Depth: 725mm, max. depth 1275mm at open door
- Height: 2000mm
- Self: angle-adjustable, depth 400mm, 4 tier + 1 bottom
- Glass Door: available, with T8 fluorescent lamp
- End panel: PU-glass end panel
- Type: self-contained and self evaporating design
- Defrost: natural defrost, without electrical heater
- Controller: CAREL Brand
- Compressor: ASPERA and Lanhai Brand
- Refrigerant: R404a
- Color: RAL Standard for steel parts

**Optional Items:**

- LED light of shelf, canopy for energy saving
- High-efficiency fan for energy saving
- Heavy duty castors

**Application:**

It is used for displaying and selling all kind of meat, marine products, cooked food and milk products, drink, fruits and so on at running temperature -1°C to 5°C.

**Features and Benefits:**

1. Adopting the glass door design can reduce the condense water and remove evaporating heater, and can reduce required cooling capacity for energy saving, up to 60%.
2. Adopting supper slim design can save space.
3. The low front design is used, so the effective display area is enlarged and the effect of food display is more prominent.
4. The low condensing unit is used, so that the compressors can reach the perfect effect.
5. The design of panoramic view, using the toughened glass, it is more clear and stronger, the effect is more prominent.
6. The multi-layered shelf can be combined freely, their angle can be adjusted according to good of display.
7. The LED light and high-efficiency fan can be option for energy saving.
8. The heavy duty castors with braking is optional.

**Power Comparison for Standard T8 Lamp and LED Lamp**

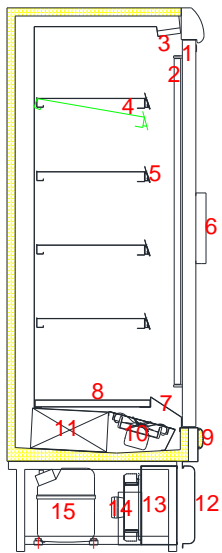
Case Length	Lamp length & Qty.	Standard T8 Lamp			LED Lamp	
		spec, watts	ballast, watts	light power, W	spec, watts	light power, W
1250mm	2x1200mm	36w	5.5w	83W	18w	36W
1875mm	3x1200mm	36w	5.5w	124.5W	18w	54W
2500mm	4x1200mm	36w	5.5w	166W	18w	72W

**Power Comparison for Standard Fan and High-efficiency Fan**

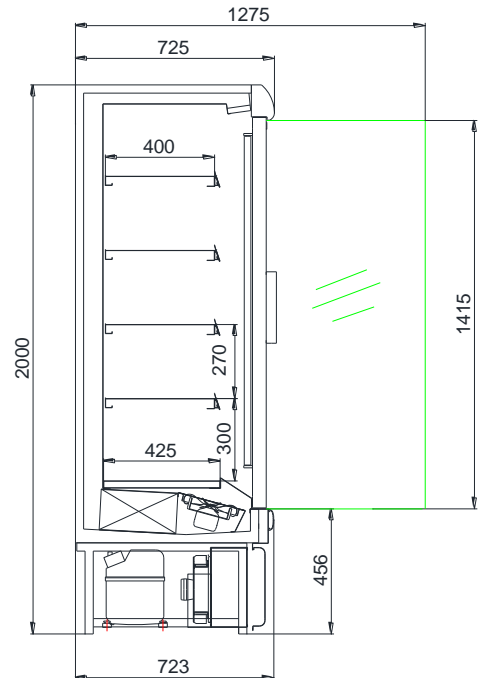
Case Length	Standard Fan			High-efficiency fan		
	Evaporating Fan, W	Condensing Fan, W	Fan Power	Evaporating Fan, W	Condensing Fan, W	Fan Power
1250mm	2x31w	2x36w	134W	2x7w	2x7w	28W
1875mm	3x31w	3x36w	201W	3x7w	3x7w	42W
2500mm	4x31w	3x36w	232W	4x7w	3x7w	49W



Shandong LittleDuck Group  
 No.51, Gongye Nan Road, Jinan 250101, China  
[Http://www.littleduckgroup.com.cn](http://www.littleduckgroup.com.cn)  
 Tel: 0086-531-8312 2094, 8312 2068, 8312 2326



1. Door
2. Door light
3. Air outlet
4. Angle adjustable shelf
5. Price tag
6. Doorknob
7. Air inlet
8. Bottom shelf
9. Bumper
10. Evaporating fan
11. Coil/evaporator
12. Front decorating plate
13. Condenser
14. Condensing fan
15. Compressor



Capacity	Case Length	Case Type	Model Number	Size, LxWxH, mm	Capacity, L	Display Area, m <sup>2</sup>	Running Temp. °C
	12/2Door	Standard model	BZ-E7NY-Z12204S-02	1250x725x2000	725	1.59	-1 to 5
	12/2Door	Energy saving model	BZ-E7NY-Z12204S-E2	1250x725x2000	725	1.59	-1 to 5
	18/3Door	Standard model	BZ-E7NY-Z18204S-02	1875x725x2000	1,080	2.24	-1 to 5
	18/3Door	Energy saving model	BZ-E7NY-Z18204S-E2	1875x725x2000	1,080	2.24	-1 to 5
	25/4Door	Standard model	BZ-E7NY-Z25204S-02	2500x725x2000	1,450	2.97	-1 to 5
	25/4Door	Energy saving model	BZ-E7NY-Z25204S-E2	2500x725x2000	1,450	2.97	-1 to 5

Electricity Data	Case Length	Case Type	Power at 220V/50Hz, Watts					Input Power, W	Rated Current, A	Power Consumption, Kwh/24h
			Light	Fan	Anti-Sweat	Door Heater	Compressor			
	12/2Door	Standard	83.0	134	71.3	116	586	990.3	8.07	12.6
	12/2Door	Energy saving	36.0	28	71.3	116	586	837.3	7.05	9.5
	18/3Door	Standard	124.5	201	124.3	212	1,300	1,961.8	8.46	18.8
	18/3Door	Energy saving	54.0	42	124.3	212	1,300	1,732.3	7.53	14.2
	25/4Door	Standard	166.0	232	142.6	232	1,760	2,532.6	9.34	21.1
25/4Door	Energy saving	72.0	49	142.6	232	1,760	2,255.6	8.10	15.6	

\* Energy saving model adopted LED Door Lights, high-efficiency fans

Refrigeration Data	Case Length	Application at T=25 °C, RH=60%	Refrigerant Gas	Evaporating Temp. °C	Condensing Temp. °C	Defrost Mode	Refrigerant Filling, Kg
	12/2Door	-1°C ~ +5°C	R404a	-10	45	Time off	1.10
	18/3Door	-1°C ~ +5°C	R404a	-10	45	Time off	1.50
	25/4Door	-1°C ~ +5°C	R404a	-10	45	Time off	2.65

